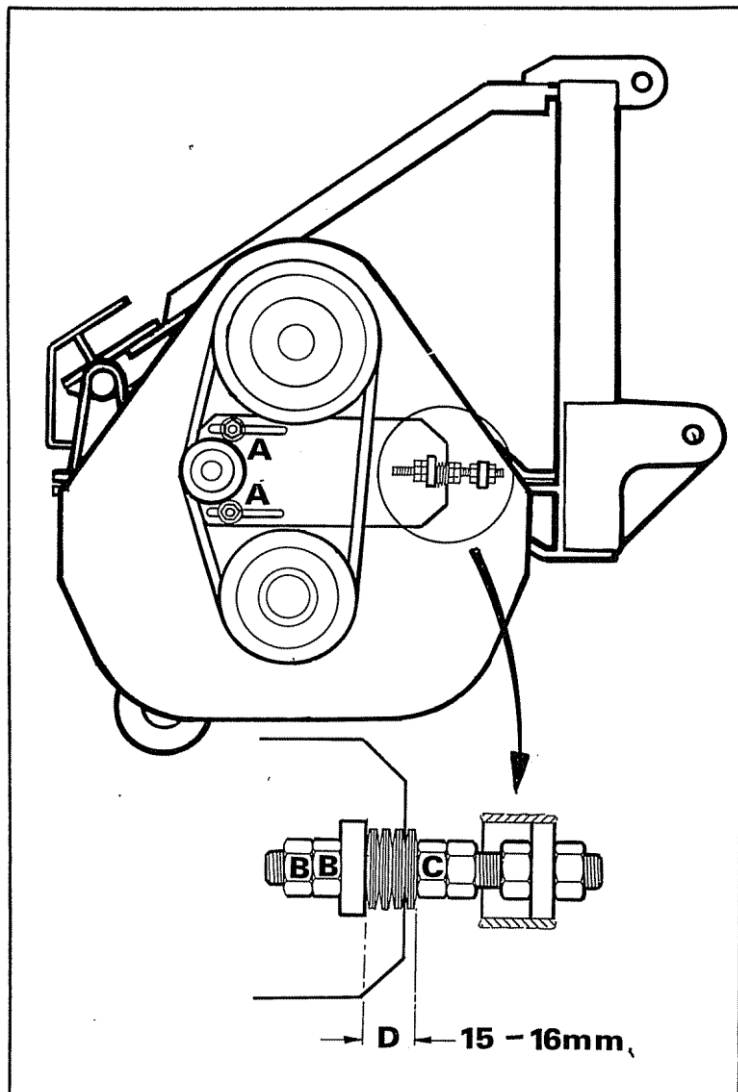


## Merlin

### Adjusting belt tension



Slacken **A**

Back off **B**

Adjust **C** until dimension **D**  
measures 15/16mm

Lock **C** with lock nut

Retighten **B**

Retighten **A**

Do not overtighten

