

PRESSURE SENSOR IDENTIFICATION

**8402253 EARLY TYPE PRESSURE SENSOR 0 to 250bar
BLACK CAP PRE APRIL2003**

PIN 4 - BLACK
FOLD WIRE BACK
AND TIE TO LOOM

PIN 3 - BLUE - SIGNAL
IDENT "LS"

PIN 2 - WHITE -VE SUPPLY
IDENT "C"

PIN 1 - BROWN +VE SUPPLY
IDENT "S"


0 TO 5 VOLT OUTPUT


COLOUR OF PLASTIC INSIDE TRANSDUCER WHEN
M12 CONNECTOR IS REMOVED

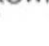
PIN No.	WHITE CAP	BLACK CAP
1 BROWN	SUPPLY + VE	SUPPLY + VE
2 WHITE	SIGNAL O/P	SUPPLY - VE
3 BLUE	SUPPLY - VE	SIGNAL O/P
4 BLACK	NOT USED	NOT USED

**8402253 LATER TYPE PRESSURE SENSOR 0 to 250bar
WHITE CAP POST APRIL 2003**

PIN 4 - BLACK
FOLD WIRE BACK
AND TIE TO LOOM

PIN 3 - BLUE
IDENT "C" 

PIN 2 - WHITE
IDENT "LS" 

PIN 1 - BROWN
IDENT "S" 

0 TO 5 VOLT OUTPUT

COLOUR OF PLASTIC INSIDE TRANSDUCER WHEN
M12 CONNECTOR IS REMOVED

PIN No.	WHITE CAP	BLACK CAP
1 BROWN	SUPPLY +VE	SUPPLY +VE
2 WHITE	SIGNAL O/P	SUPPLY -VE
3 BLUE	SUPPLY -VE	SIGNAL O/P
4 BLACK	NOT USED	NOT USED

