

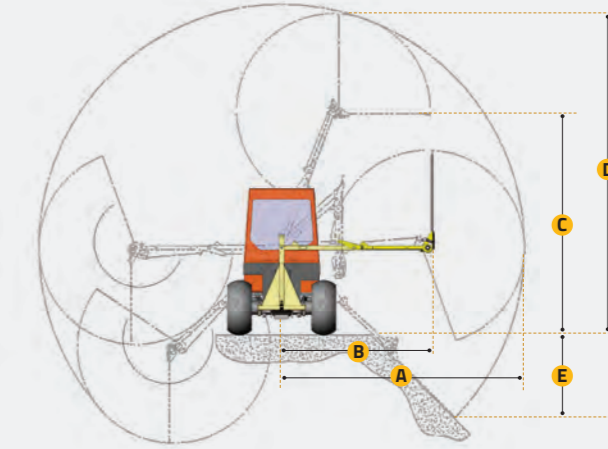


POWER ARM
SWINGTRIM

SWINGTRIM - 3.2m (10'6") to 3.5m (11' 6") reach
SWINGTRIM XL - 4m (13'1") reach

SWINGTRIM		
Advanced Controls	SWINGTRIM	SWINGTRIM XL
Cable Control	<input type="checkbox"/>	<input type="checkbox"/>
Motion Mini	<input type="checkbox"/>	<input type="checkbox"/>
Motion Evolution	—	—
Revolution Including Easy Drive System (EDS)	—	—
Two-way Rotor Engagement - Cable Control (CRC)	<input type="checkbox"/>	<input type="checkbox"/>
Two-way Rotor Engagement - Electric Control (ERC)*	<input type="checkbox"/>	<input type="checkbox"/>
Mounting		
Front 3-Point Mounting Including Stabiliser	<input type="checkbox"/>	<input type="checkbox"/>
Front DIN Plate Mounting	<input type="checkbox"/>	<input type="checkbox"/>
Rear 3-Point Mounting Including Stabiliser	<input type="checkbox"/>	<input type="checkbox"/>
Rear 3-Point to 4-Point Hitch Stabiliser Kit	—	—
Rear 3-Point to 5-Point Axle Mounting Kit**	—	—
Rear 5-Point Rigid Frame, Axle Mounting Kit**	—	—
Armsets		
Straight Armset	■	■
Midcut Armset	—	—
Telescopic Armset	—	—
Variable Forward Reach Armset (VFR)	—	—
Telescopic-Variable Forward Reach Armset (T-VFR)	—	—
Parallel Arm Geometry	—	—
Hydraulics		
Horsepower	6hp	6hp
System Type	—	—
Pump Type	—	—
Total Flow Rate l/min	11	11
Arm Circuit Flow Rate l/min	—	—
Attachment Circuit Flow Rate l/min	—	—
Oil Tank Capacity	—	—
Oil Cooler	—	—
Totally Independent Hydraulic System	<input type="checkbox"/>	<input type="checkbox"/>
Hydraulic Upgrades		
Angle Float Kit	—	—
Lift Float Kit	—	—
Advanced Float Kit (only on EVOLUTION controls)	—	—
EDS (only on REVOLUTION controls)	—	—
PowerBoost (75 l/min Arm Circuit Flow Rate)	—	—
Additional Hydraulic Services	—	—
Safety Equipment		
External Debris Blower	—	—
Integrated Debris Blower	—	—
Road Lighting Kit	—	—
Warning Arrow Kit	—	—
Window Guards	■	■
Cab Protection Kit	—	—
Safety Breakaway	■	■
Power Slew	—	—
Cushioned Top Link	—	—
Tractor Requirements		
Minimum Tractor Weight	550kg	650kg
Minimum Tractor Horsepower	15hp	20hp
Specification		
Machine Weight #	192kg	200kg
Left and Right-Hand Build Options	■	■

* Including SoftStart ** Excluding axle brackets & latches # Depending on specification, excluding attachment & oil



REACH DIMENSIONS

	SWINGTRIM	SWINGTRIM XL
A	3.5m / 11' 6"	4m / 13' 1"
B	2.7m / 8' 10"	3m / 9' 11"
C	3.6m / 11' 10"	4.1m / 13' 5"
D	5.1m / 16' 9"	5.5m / 18'
E	1.6m / 5' 3"	1.9m / 6' 3"

POWER ARM ATTACHMENTS

Multisaw	SWINGTRIM	SWINGTRIM XL
1.40m Multisaw Compact 1400 - 80mm	<input type="checkbox"/>	<input type="checkbox"/>
2.10m Multisaw Compact 2100 - 80mm	<input type="checkbox"/>	<input type="checkbox"/>
2.80m Multisaw Compact 2800 - 80mm	<input type="checkbox"/>	<input type="checkbox"/>
Cutterbar		
1.20m Swingtrim Cutter Bar - SD - 30mm	■	■
1.50m Swingtrim Cutter Bar - SD - 30mm	<input type="checkbox"/>	<input type="checkbox"/>

■ Standard Equipment □ Optional Equipment — Not available

Compact, light and manoeuvrable, the Swingtrim has been created for contractors and local government teams working in the amenities, landscape, and ground-care sectors.

- 4 Reach options from 3.1m to 4.0m
- 2 Advanced control options
- 3 Mounting systems
- 1 Armset option
- 5 Attachment options

