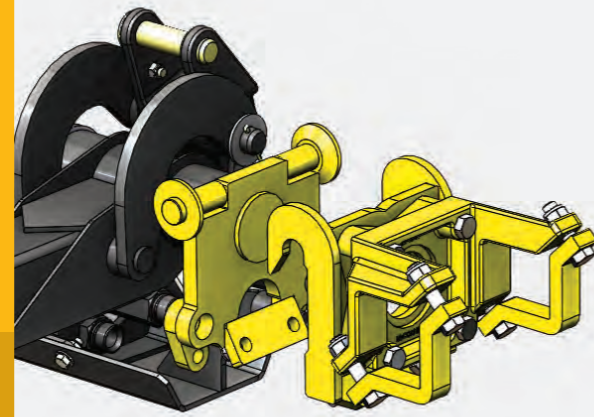


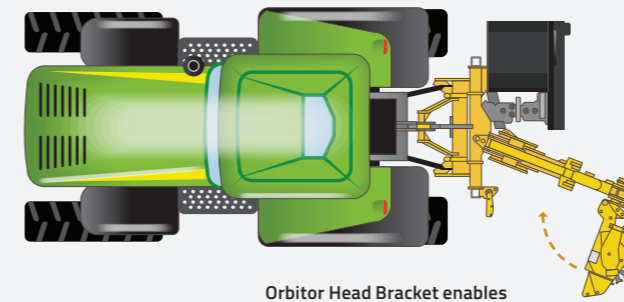
POWER ARM PRODUCTIVITY

CREATED FOR PROFESSIONALS

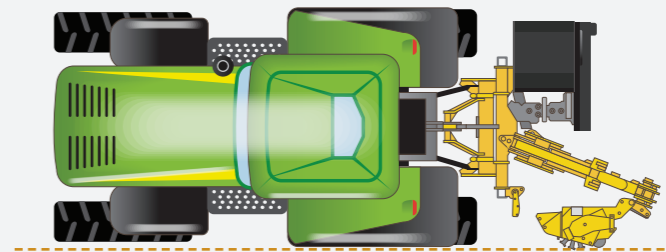


QUICK-ATTACH BRACKET

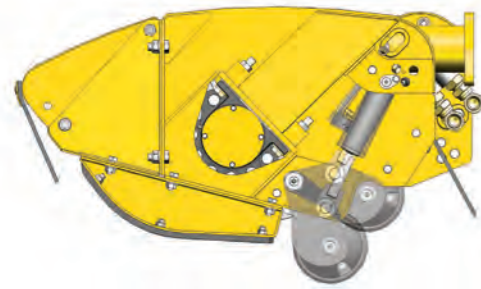
A quick-attach head stock and connecting bracket enable fast, safe and easy connection of flailheads and working attachments to the Power Arm. The system locks securely in place with a bolt kit and is available with optional quick-release couplings.



Orbitor Head Bracket enables an extra angle of movement

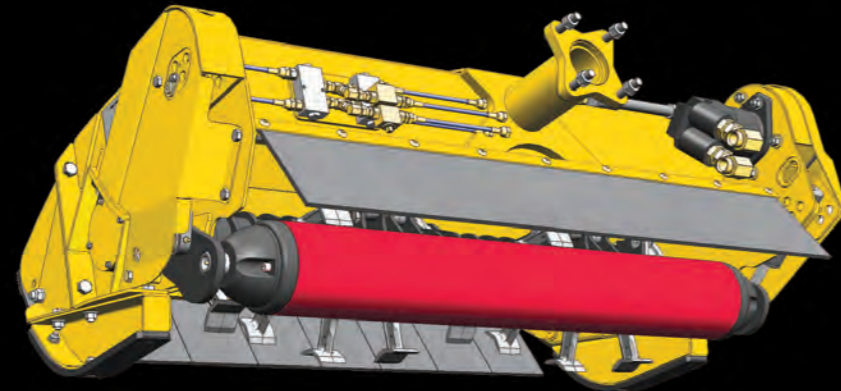


Orbitor Head Bracket allows Power Arm cutting operation within the tractor width



HYDRAULIC ROLLER

Enables operator to change the height of the roller via the in-cab controls. Ideal for switching between hedge-cutting and bank maintenance.

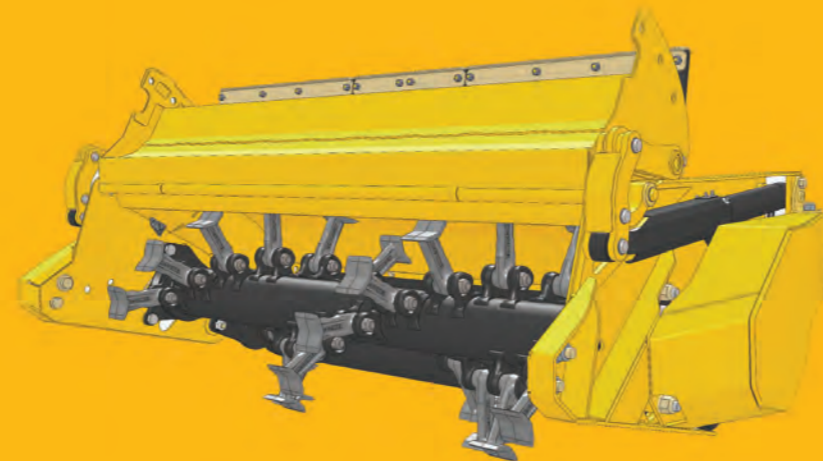


CUSHIONED ROLLER

Designed specifically for verge mowing, the cushioned roller is wrapped with a thick layer of rubber to absorb vibration, reduce wear and improve performance.

HYDRAULIC FRONT HOOD

Forestry flailhead can be specified with hydraulic front hood for clear flow of material to the rotor.



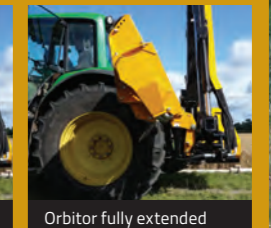
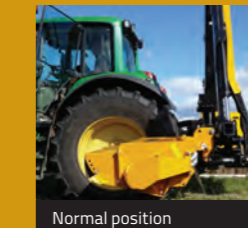
GREATER FLEXIBILITY IN CONFINED ENVIRONMENTS

ORBITOR HEAD BRACKET

Fitted between the cutting attachment and the dipper arm for an extra angle of movement, the orbitor bracket is an essential tool for hedge-cutting in narrow lanes where it increases manoeuvrability.

- Powered by a single ram fitted within the bracket for enhanced protection
- Enables the Power Arm to cut within the width of the tractor (when the arm is fitted with Power Slew)
- Improves cutting head geometry

Designed for working in confined environments, the Orbitor Head Bracket is exclusive to McConnell and enables operators who need a long reach armset to cut close-in to the tractor.



SCAN HERETO SEE
THE ORBITOR HEAD
BRACKET IN ACTION