

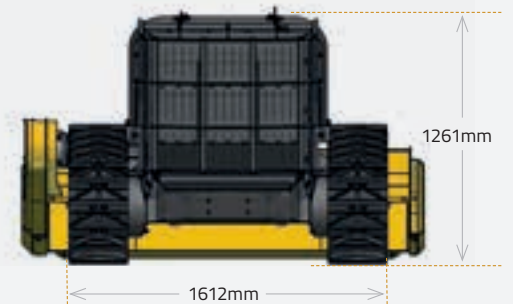
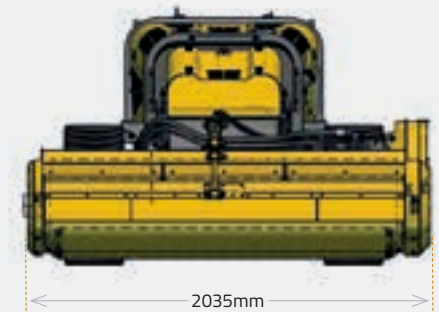
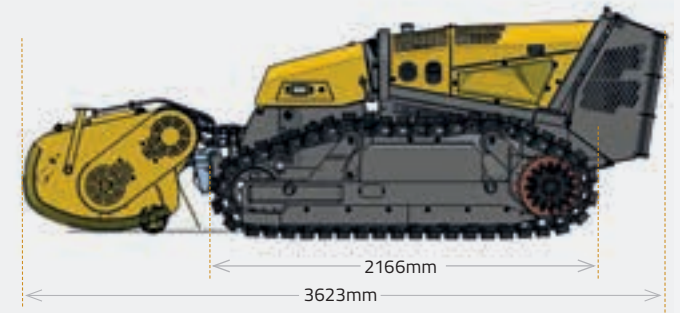


McCONNEL **ROBOMAX**



ROBOMAX

SPECIFICATION



ROBOMAX ATTACHMENTS

Robomax is available with an ever-expanding range of heavy-duty attachments that take full advantage of the machine's 80hp power output. Attachments include:

ROBOMAX FLAIL 1800	52
ROBOMAX FORESTRY 1500	52
ROBOMAX SNOW BLOWER	52
ROBOMAX SPRAYER 400	53
ROBOMAX TREE SHAKER	53
ROBOMAX PRUNER	53

To see the range of ROBOMAX accessories go to **page 60**

ENGINE

Make	Yanmar, naturally aspirated, 4 cylinder	3319 cc
HP	80hp (55kw)	2500 max rpm
Torque	280 Nm	
Fuel	Diesel	
Fuel Tank Capacity	55 litres	
Fuel Consumption (maximum)	8 - 8.5 l/h	Dependent on work load
Water-cooled Radiator	Standard	Heavy duty build
Self Cleaning (Reversible Fan)	Standard	
Transmission	Hydrostatic	
Maximum Noise Levels	100 dB(A)	Acoustic power level = dB(A) LwA

HYDRAULICS

Independent Flailhead Circuit	Closed circuit piston hydraulic system	max 80 l/min at 3000 rpm
Independent Track Drive Circuit	2 x Closed circuit hydraulic piston pumps	
Aux Service	2 Double acting auxiliary services for additional service	17 l/min at 180 bar, double acting
Independent Intercooler	Standard	
Oil Tank Capacity	70 litres	Biodegradable Oil
Attachment Lift Capacity	800kg	

FLAILHEAD/ATTACHMENT

Oil Flow	80 l/min	
Pressure	290 bar	
Rotor Speed	3000 rpm	
Front and Rear Flaps	Standard	
Flails	Y - Flails	For cutting grass and light wood up to 30mm Diameter
	J (hammer) - Flails	For cutting thick grass and wood up to 50mm Diameter
Roller Width	1.5m	
Roller Diameter	100mm	
Cutting Height Range (via roller adjustment)	20mm, 60mm, 85mm	Flailhead can be lifted to cut higher
Hydraulic Lift	-300mm to +400mm	
Floatation (angle)	14° up and down (+/-)	
Cutting Width	1.5m - 1.8m	
Cutting Capacity	50mm	

TRACKS

Steel	Standard	Max working angle 55 degrees
Self Tightening	Standard	
Length (Axle to Axle)	2166mm	

REMOTE CONTROLS

Working Range	150m	
Frequency	863 - 870 MHz (Certified by CE legislation)	
Battery	Interchangeable, Rechargeable	Two with each unit
Proportional Joysticks	Standard	

PERFORMANCE

Potentiometer Speed Control (0 to 100%)	1st Gear (Low range) Forward and Back	0 - 4 km/h
	2nd Gear (High range) Forward and Back	0 - 7 km/h

DIMENSIONS

Overall Width (with flailhead attachment)	2035mm
Overall Length (with flailhead attachment)	3623mm
Overall Height	1261mm

WEIGHT

ROBOMAX	1940kg
Flailhead	660kg

ROBOMAX FLAIL 1800

PART NO: 4005950

A high-performance flailhead that's ideal for tackling grass and overgrowth. Constructed from Strenx steel for strength and durability.

Technical specification

- 1750mm cutting width
- 2035mm overall width
- 30mm cutting diameter
- 2300 rpm rotor speed
- 72 Y-flails
- 495kg weight



ROBOMAX FORESTRY 1500

PART NO: 4005951

A heavy-duty forestry head that's ideal for tackling dense overgrowth and small trees, this robust attachment can tackle material up to 120mm thick.

Technical specification

- 1480mm working width
- 1760mm overall width
- 120mm cutting diameter
- 2900rpm speed rotor
- 36 HD flails
- 760kg weight



ROBOMAX SNOW BLOWER

PART NO: 4005954

Ideal for clearing snow and sleet from roads, tracks and pathways, the Snow Blower attachment features a high-performance cutting ring, a powerful rotor, and an adjustable exit chute.

Technical specification

- 1400mm Working width
- 400mm cutting diameter
- 520mm rotor diameter
- 55 l/min hydraulic flow
- 35cc hydraulic motor
- 290kg weight



ROBOMAX ATTACHMENTS

ROBOMAX SPRAYER 400

PART NO: 4005953

A productive all-terrain sprayer that's ideal for working in orchards, polytunnels, and vineyards.

Technical specification

- 400 litre capacity polyethylene tank
- 600mm fan
- 20hp motor
- 95 l/min flow
- Robust construction
- 800kg weight



ROBOMAX TREE SHAKER

PART NO: 4005955

Ideal for customers working in orchards and plantations, the Tree Shaker attachment features two arms with protective rubber cushioning that attach around the trunk and deliver a series of small vibrations which cause fruit to fall easily from the tree.

Technical specification

- 600mm opening capacity
- Maximum trunk diameter of 500mm
- 150 l/min hydraulic flow
- 300 bar pressure
- Hydraulic tilt
- Rubber pads
- 450kg weight



ROBOMAX PRUNER

PART NO: 4005956

Ideal for pruning hedges, vineyards and fruit trees, the pruner features 12 stainless steel cutting blades and can cut to a height of 2000mm.

Technical specification

- 12 Blades (8 horizontal, 4 vertical)
- 2000mm vertical cut
- 1040mm horizontal cut
- 320mm blade diameter
- 1200mm extension length
- 430kg weight

