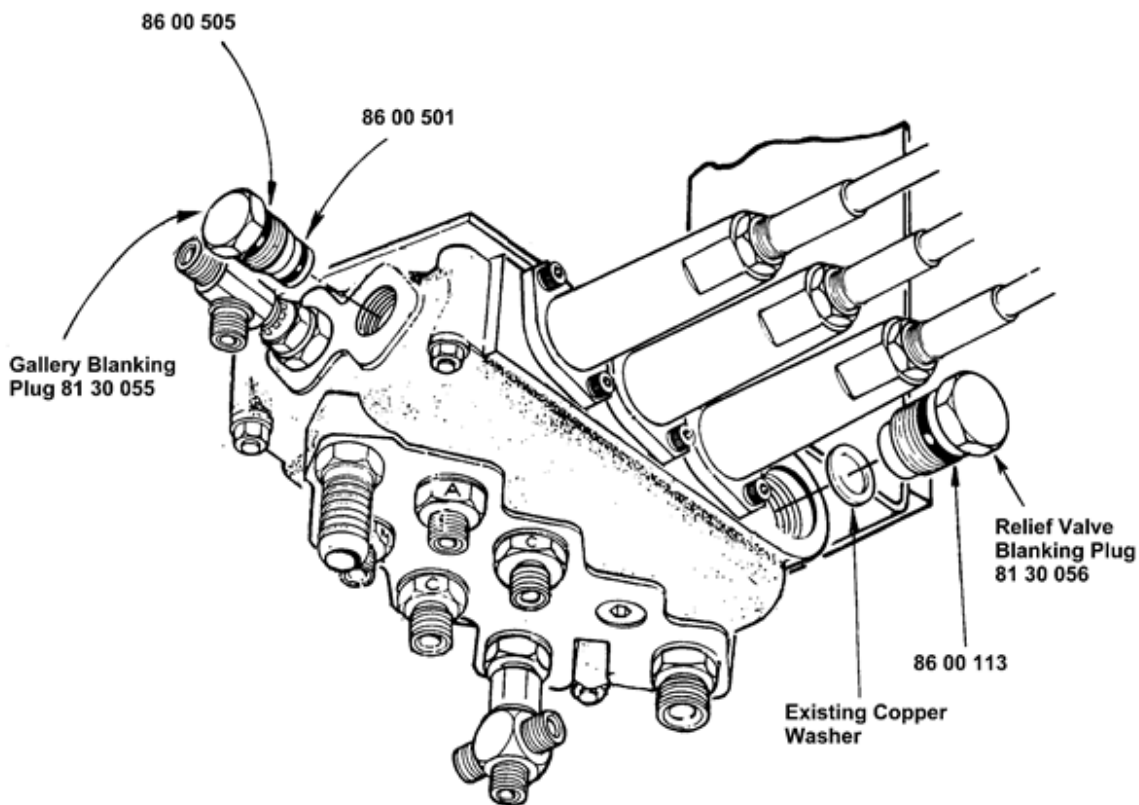


Closed Centre Conversion Kits for S.I. Models Only.

Part No. 81-30-059

Used on all hedge trimmers except the MK1 PA500 and PA590.

The kit consists of a relief valve blanking plug, which should be installed in place of the existing relief valve, and a pressure gallery blanking plug, which is installed in place of the standard blanking plug at the valve outlet end. Take care when extracting the relief valve not to damage the copper sealing washer, as it has to be re-used.



To convert from Closed Centre to Open Centre

Remove the gallery blanking plug 8130055 and replace with the original blanking plug 8130061. Replace the Relief Valve blanking plug with the original Relief Valve G3812537 retaining the existing copper washer.



Part No. 81-30-203

Only used on MK1 PA500 and PA590

