

ADJUSTABLE SPEED CONTROL KIT

This adjustable one way restrictor can be used to control the drop speed on machines without proportional control systems.

FITTING

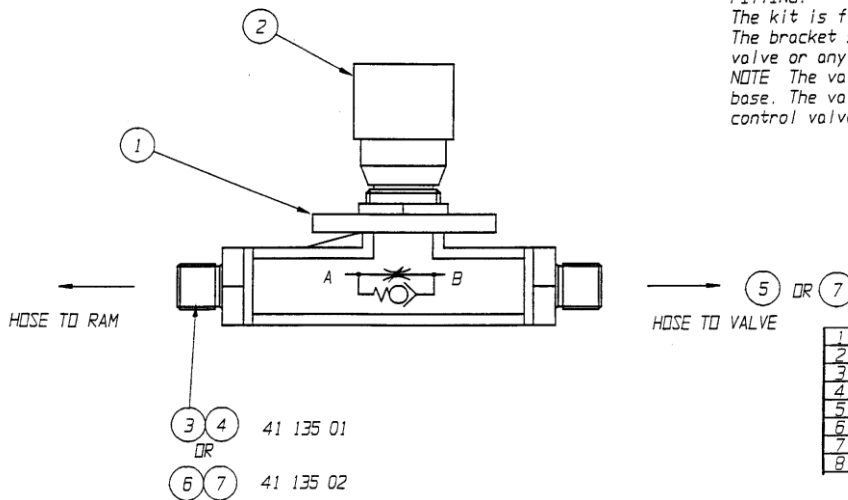
It is fitted in the lift ram base to valve line. The mounting bracket can be bolted to the arm control valve or any suitable fixing point.

Remove the lift ram base end hose from the valve and connect to the A port of the speed control valve. Connect the hose supplied in the kit to the B port of the speed control valve and the control valve.

SPEED CONTROL KIT

41.135.01 1/4BSP

41.135.02 3/4BSP



FITTING:

The kit is fitted in the 'lift ram base to valve' line. The bracket supplied can be bolted to the arm control valve or any suitable fixing point.

NOTE The valve A port should be connected to lift ram base. The valve B port should be connected to the arm control valve.

1	BRACKET	41 136 01
2	SPEED CONTROL VALVE	81 07 020
3	ADAPTOR 1/4-3/8"BSP	85 81 115
4	BONDED SEAL 3/8"BSP	86 50 103
5	HOSE 1/4 "BSP	85 35 092
6	UNION 3/8"BSP	60 00 113
7	HOSE 3/8"BSP	85 31 353
8	FITTING SHEET	41 135 01ES

